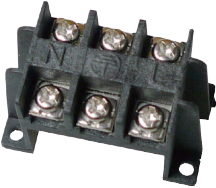

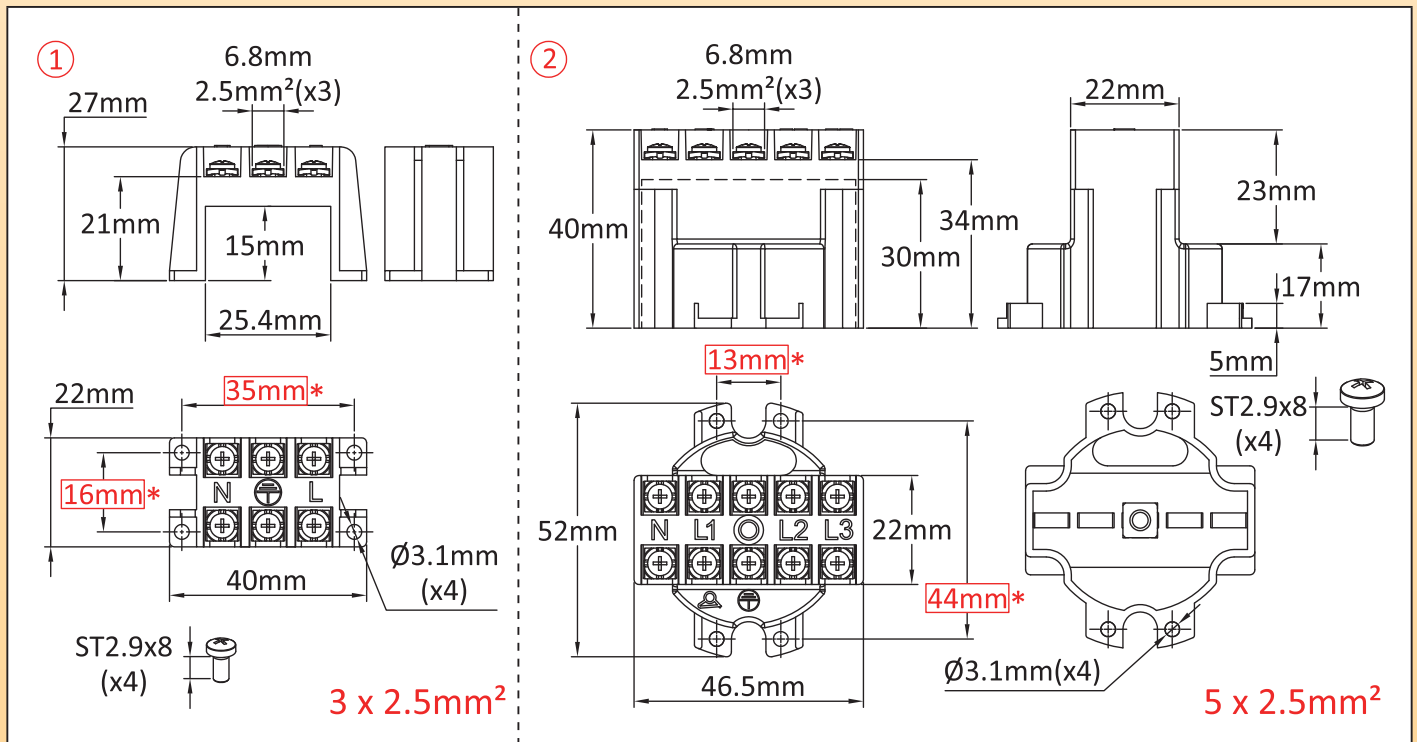


# Special elevated PA66 connection blocks, screw terminals on both sides

Minimum Size	Maximum Size	Material	Type	Model
22 × 40 × 27mm	52 × 46.5 × 40mm	PA66	Special design 2.5mm <sup>2</sup> connection block	<b>BEJ BEL</b>




Compatible with:	①	②
①		
<input checked="" type="checkbox"/> Y301		
②		
<input checked="" type="checkbox"/> Y3C1 <input checked="" type="checkbox"/> Y3C2		



### Main references

①	②
BEJF3F3000000P00	BELF5F5000000P00

### Links

	Page (.pdf)
	Drawing 2D (.dwg)
	Drawing 3D (.stp)

Because of permanent improvement of our products, drawings, descriptions, features used on these data sheets are for guidance only and can be modified without prior advice

Red dimensions inside rectangular frames on drawings are used for assembly on enclosures or on fittings.

